



Product details

09 03 000 6104

High current contacts for type M

Description	High current contacts, type M Male contacts Contacts for male connectors Working current 40A max. Standard contacts Angled for pcb termination Performance level 2 as per IEC 60603-2
RoHS compliant	Yes

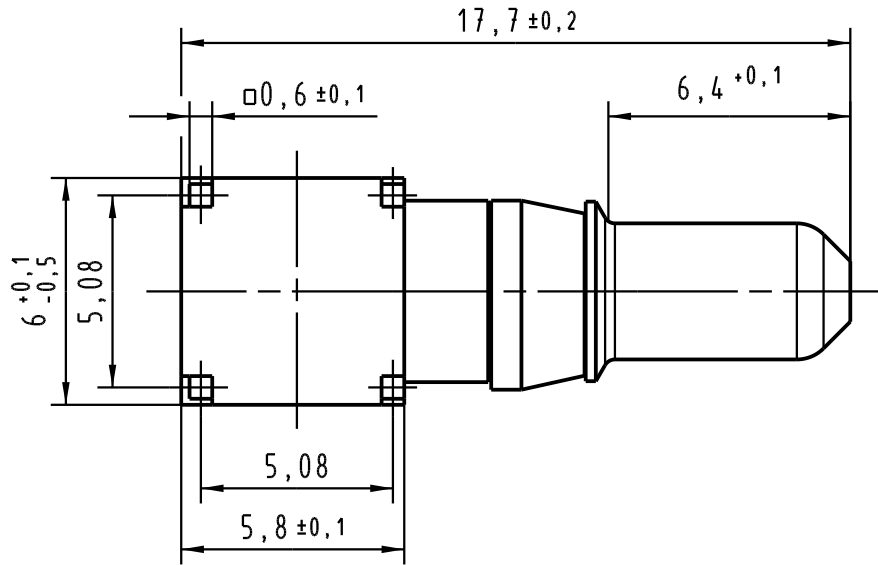
5

4

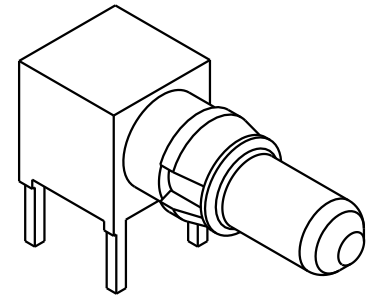
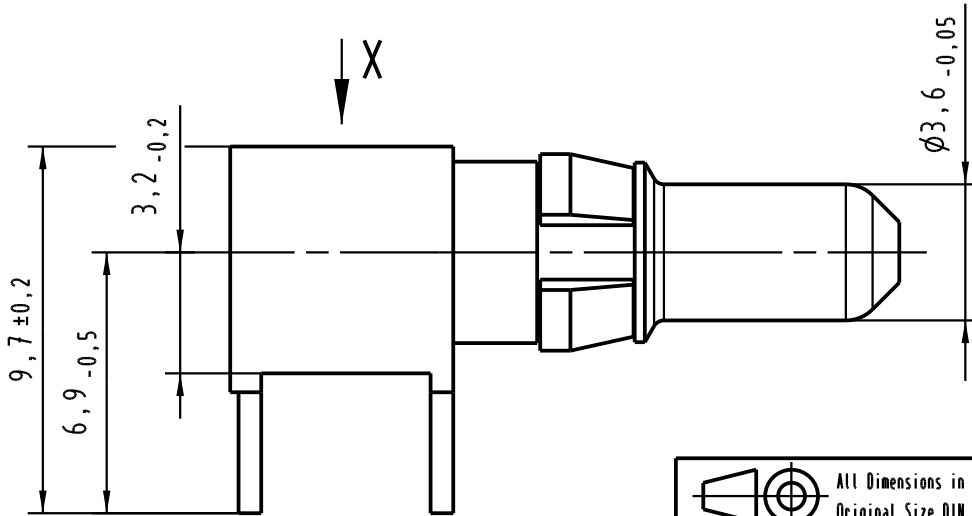
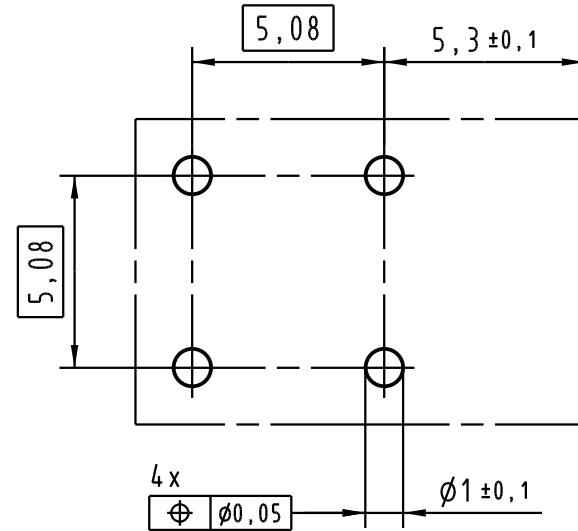
3

2

1



X Lochbild
board drillings



All Dimensions in mm
Original Size DIN A 4

Techn. Character.

DIN 41626 Teil 1

Nicht tolerierte Maße/Free size tolerances

DIN 41626 Teil 1

	Dat.	Name	Maßstab/Scale
Detail.	23.07.02	Buß.	5:1
Insp.	23.07.02	kfoe	
Stand.			

Hochstromkontaktstift 20A gewinkelt Einlötlöt
für Messerleiste Typ M
male power contact 20A right angled solder
for connector type M

32669	18.04.05	Cla
31654	10.10.03	Hage.
30077		
Mod.	Dat.	Name

HARTING Electronics GmbH & Co. KG
D-32339 ESPELKAMP



TB 09 03 000 6104

Blatt/page

Sub. TB 09 03 000 6104 Mod. 14667 v. 21.04.93

D

C

B

A